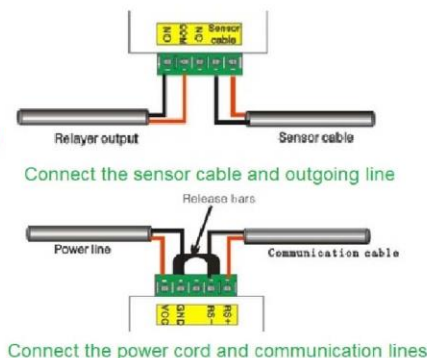


AG-LC1A

Water Leak Alarm Module



- Simple Detection without Location
- RS-485 / MODBUS RTU communication system
- Two ways to set the relay NO-COM /NF-COM
- Control sense cables up to 500 meters



Features & Benefits

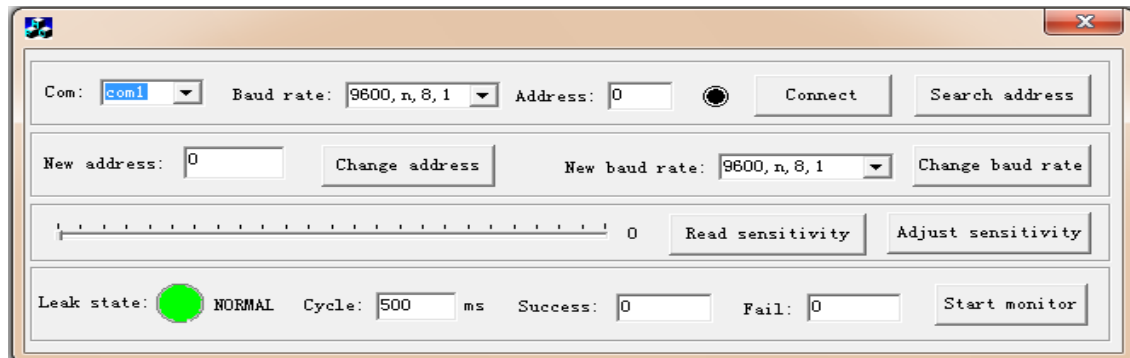
- Practical and reliable twisted-pair serial RS - 485 communication, the unit can control sense cables up to 1200 meters, general industrial standard MODBUS protocol
- 12VDC power
- Cable sensitivity is adjustable
- A variety of communications baud rate is optional, address and communication baud rate set by the software module, no switches
- Two ways to set the relay NO-COM /NF-COM, free to option
- Good anti-static & surge protection tech to make sure working system safer and reliable
- Convenient 35mm DIN guide rail installation
- External dimension : 55*115*36mm



Technical data

General features	Sensor compatibility	AG-LC1B Not locate leakage sensing cables or similar cables
	Maximum length	500 meters
	Accuracy	100%
Environmental rating	Storage temperature	-40 °C~60 °C (0 °F~140°F)
	Operating temperature	-20°C~50 °C (32 °F~122°F)
	Humidity	5%~95% (non-condensing)
Power		12VDC, 3W
Serial interface	Network configuration	RS-485 two-wire network, Optional baud rates, factory default 9600, Optional address is 0~255, factory default 0
	Communication	MODBUS RTU
Relay contact	NO-COM /NF-COM, free to option	Leakage alarm/cable break alarm/power supply alarm

Software setting



Choose the correct serial port number, baud rate and address click "Connect", make sure the computer and AG-LC1A Communication connection set successful.

Then set new baud rate and new address, input the baud rate and new address and click the "Change address" after each update.

Notice: After update the new baud rate to insure the setting is efficient; you must reset the AG-LC1A.



Sensitivity setting

- Specific steps are as follows :
- Connect AG-LC1A and the computer, ensure the line is intact and correct connect.
- Open the software and use the digital communication
- Find the slider in software panel , keep click it and slide to set the sensitivity of AG-LC1A, stop at the position you want, then click "Adjust sensitivity" to finish the setting.

Configuration successfully saved :

